

DUMP BODY / TRAILER TARP KITS

Electric, Manual, Front To Back And Side Roll Tarp Kits

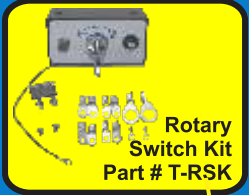


TARPING SYSTEMS

"EXPERIENCE THE DIFFERENCE"

★ QUALITY ★ PRICE ★ SERVICE

1-888-838-3229



Rotary Switch Kit
Part # T-RSK



103" Aluminum Wind Deflector
Part # T-AWDK



Apache Tarp Motor w/Cover
(50:1 Ratio)
Part # T-ASM



103" Aluminum Cross Tube
Part # T-ACT



30 Degree Tarp Joint
Part # T-A30C



98" Telescoping Aluminum Side Arm
w/ 90 Degree Corner
Part # T-ASAWC



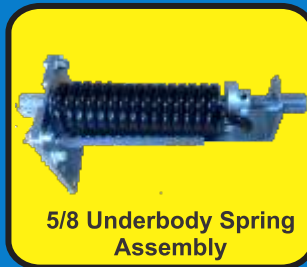
Option
Unbreakable Arm Terminator



3, 4 or 5-Spring,
Aluminum Lower Arm
Part # T-ALA60



92" and 98"
Aluminum Housing



5/8 Underbody Spring
Assembly



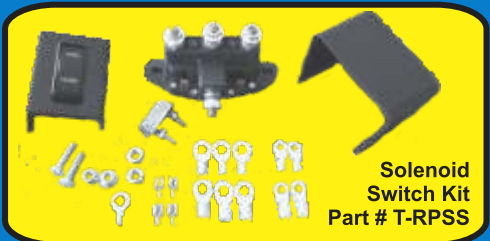
Steel Tarp System

Common Features:

- 50 Feet of 8-Gauge Dual Conductor Battery Cable
- 3 Year Full 100% Warranty on all Tarp Motors
- Mounting Hardware and Wire Connectors Included

ELECTRIC

Options



Solenoid Switch Kit
Part # T-RPSS



Tomahawk Tarp Motor
(60:1 Ratio)
Part # T-TM12V334



Enforcer Tarp Motor
(90:1 Ratio)
Part # T-EM12V334



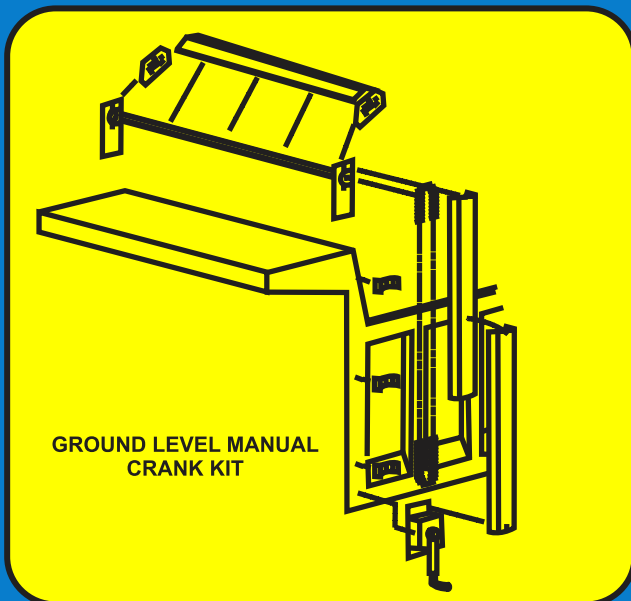
CAB LEVEL MANUAL



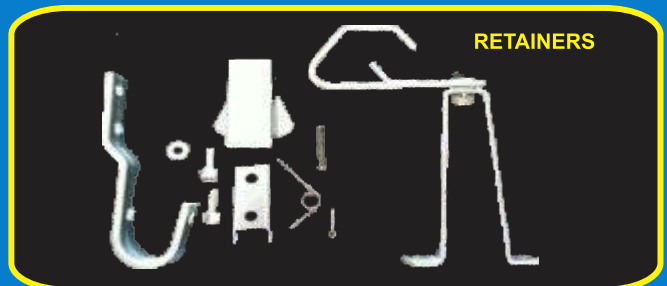
Common Features

- Extruded Aluminum Cross Tube 103" To Fit Bed Width Of Dumps and Trailers up to 102" Wide.
- Cast Bearings and Zinc Plated Hardware

GROUND LEVEL MANUAL



SIDE ROLL OPTIONS & ACCESSORIES



Solid Vinyl 18 oz.

Heavy-Duty Double
Stitch Hem
Full Perimeter Brass
Grommets
All Hems Reinforced
with 2" Heavy-Duty
Nylon Webbing
HD UV Resistant, PVC Coated Vinyl
with 1,000 Denier Polyester Mesh

TARPS



Mesh 12 oz.